

SG-PTZ4060NIO2-12T50350(12T25225)

- Thermal + Optical Bi-spectrum Heavy Load High Precision Network PTZ Camera
- 4MP 20~1200mm 60x Optical Zoom Starlight Network OIS Zoom Camera Module
- 1280×1024 Detector with 50~350mm (25~225mm) Motorized Lens Network Thermal Camera Module



1. Features

- > High integrated PT and Housing, without exposure lines.
- > Classification Society Standard: ASTM B117/ISO 9227 (2000 hours) Corrosion-resistant.
- > Turbine/Worm drive, with Servo Motor, self-locking on Power OFF.
- > 24H continuous operation, Life of motor and drive mechanism > 1 million revolutions.
- > Horizontal 360° rotation, speed up to 0.01°~180°/s.
- > Vertical -90°~+90°, speed up to 0.01°~100°/s.
- > Precision of pre-positioning $\pm 0.003^\circ$.
- > Zoom Synchronization based on Visible Camera.
- > Auto Tracking Based on Visible Camera.

Visible Camera

- > 1/1.8" SONY Starvis progressive scan CMOS.
- > Powerful 60x optical zoom (20~1200mm).
- > Max. 4MP(2688×1520) Resolution.
- > Support various IVS functions.
- > Support EIS and Optical Defog.
- > Support OIS function (Optical Image Stabilization)

Thermal Camera

- > 1280×1024 resolution, high sensitivity sensor.
- > 12 μ m pixel pitch.
- > 50~350mm (25~225mm) motorized thermal lens.

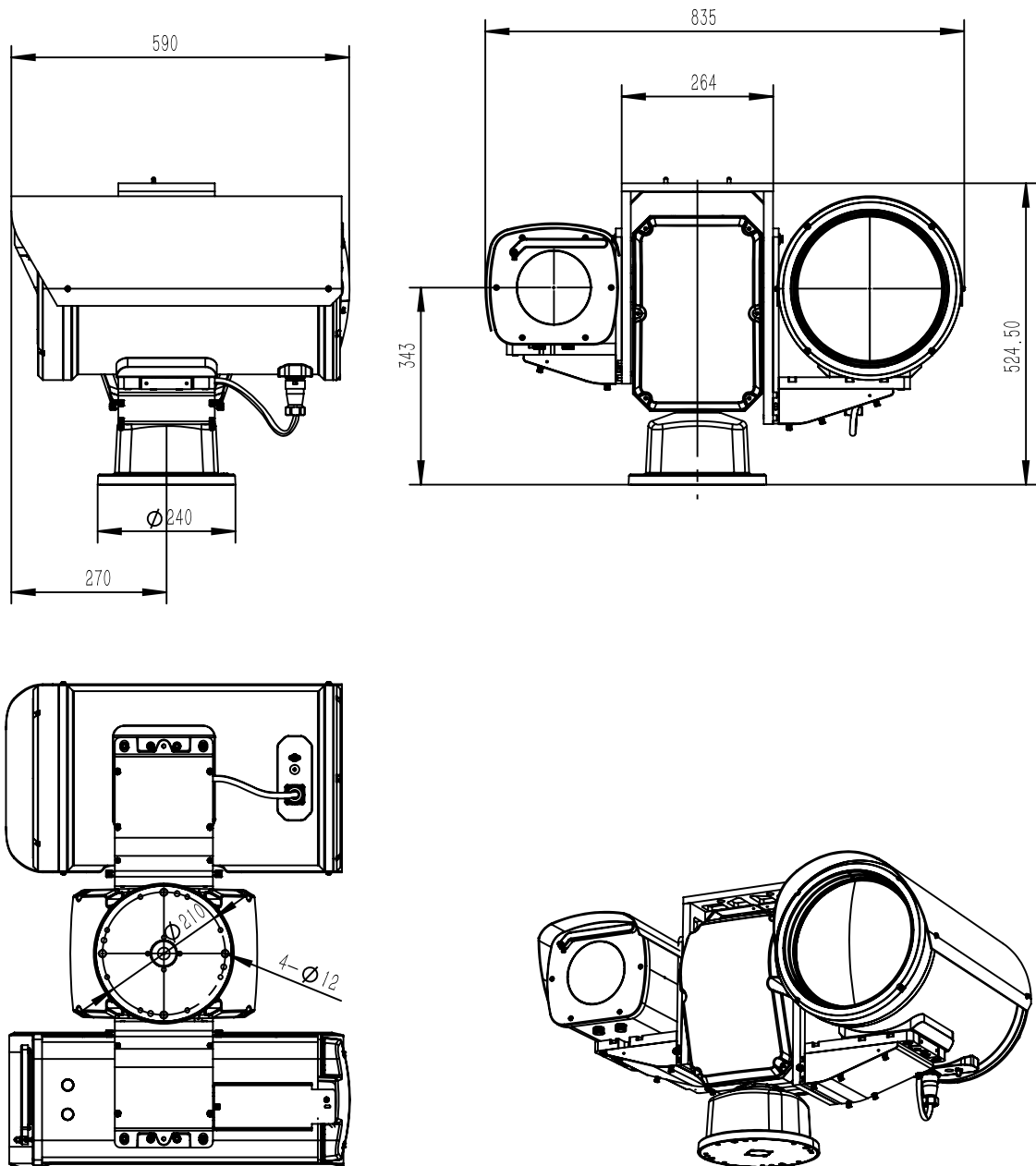
2. Specification

Model		SG-PTZ4060NIO2-12T50350	SG-PTZ4060NIO2-12T25225	
Thermal				
Sensor	Image Sensor	Uncooled VOx microbolometer		
	Resolution	1280×1024		
	Pixel Size	12μm		
	Spectral Range	8~14μm		
	NETD	≤50mK@25°C, F#1.0		
Lens	Focal Length	50~350mm motorized Lens	25~225mm motorized Lens	
	Aperture	F0.95~F1.4	F1.0~F1.5	
	Field of View	17.5°×14.0°~2.5°×2.0°(W~T)	34.2°×27.6°~3.9°×3.1°(W~T)	
	Optical Zoom	7x	9x	
	Digital Zoom	4x	4x	
	Protection Level	IP66 waterproof for the 1st Glass of Lens.		
Video	Compression	H.265/H.264/H.264H		
	Snapshot	JPEG		
	Pseudo color	Support: White Hot, Black Hot, Iron Red, Rainbow 1, Fulgurite, Rainbow 2, Fusion, Bluish Red, Amber, Arctic, Tint		
	Streams	Main Stream: 25fps@(1280×1024) Sub Stream: 25fps@(640×512), 25fps@(352×288)		
Network	Network Protocol	IPv4/IPv6, HTTP, HTTPS, Qos, FTP, SMTP, UPnP, DNS, DDNS, NTP, RTSP, RTP, TCP, UDP, DHCP, PPPoE, 802.1X, IP Filter		
	Interoperability	ONVIF Profile S, Open API, SDK		
	Max. Connection	20		
Intelligence	Normal Event	Motion Detection, Audio detection, IP address conflict, Illegal Access, Storage anomaly		
	IVS functions	Support intelligent functions: Tripwire, Cross Fence Detection, Intrusion, Loitering Detection.		
	Fire Detection	Support		
Storage Capabilities		Micro SD card, up to 256G		
Visible				
Sensor	Image Sensor	1/1.8" SONY Starvis progressive scan CMOS		
	Effective Pixels	Approx. 4.17 Megapixel		
Lens	Focal Length	20mm~1200mm, 60x Optical Zoom		
	Aperture	F2.92~F11.37		
	Field of View	H: 22.06°~0.37°, V: 12.51°~0.21°, D: 25.21°~0.43°		
	Close Focus Distance	2m~50m (Wide~Tele)		
	Zoom Speed	< 10s (Optical Wide~Tele)		
	DORI Distance (Human)	Detect	Observe	Recognize
	16,650m	6,607m	3,330m	1,665m
Video	Compression	H.265/H.264B/H.264M/H.264.H/MJPEG		

	Streaming Capability	3 streams
	Resolution	Main Stream: 50/60fps@2688×1520; 50/60fps@1920×1080; 50/60fps@1280×720 Sub Stream1: 50/60fps@704×576; 50/60fps@352×288; Sub Stream2: 50/60fps@1920×1280; 50/60fps@1280×720; 50/60fps@704×576
	Video Bit Rate	32kbps~16Mbps
	Audio	AAC(8/16kHz) / MP2L2(16kHz)
Network	Network Protocol	IPv4, IPv6, HTTP, HTTPS, TCP, UDP, RTSP, RTCP, RTP, ARP, NTP, FTP, DHCP, PPPoE, DNS, DDNS, UPnP, IGMP, ICMP, SNMP, SMTP, QoS, 802.1x, Bonjour
	API	ONVIF, HTTP API, SDK
	Web Browser	IE, Edge, Firefox, Chrome
	User	Up to 20 users, 2 level: Administrator, User
	Storage	Micro SD/SDHC/SDXC card (Up to 1TB) edge storage, FTP, NAS
	Multicast	Support
General Events		Motion, Tamper, SD Card, Network
IVS		Tripwire, Cross Fence Detection, Intrusion, Abandoned Object, Fast-Moving, Parking Detection, Crowd Gathering Estimation, Missing Object, Loitering Detection.
Target Distinction		Human/Vehicle
S/N Ratio		≥55dB
Minimum Illumination		Color: 0.05Lux/F2.92; B/W: 0.005Lux/F2.92
Noise Reduction		2D/3D/AI Noise Reduction
Exposure Mode		Auto, Aperture Priority, Shutter Priority, Gain Priority, Manual
Exposure Compensation		Support
Shutter Speed		1/1~1/30000s
BLC		Support
HLC		Support
WDR		Support
White Balance		Auto, Manual, Indoor, Outdoor, ATW, Sodium lamp, Street lamp, Natural, One Push
Day/Night		ICR(Auto/Manual)
Focus Mode		Auto, Manual, Semi Auto, One Push AF
Electronic Defog		Support
Optical Defog		Support, 750nm~1100nm channel is Optical Defog
Heat Haze Reduction		Support
Flip		Support
EIS		Support
OIS (Optical Image Stabilization)		Support (ON/OFF)
Digital Zoom		16x
Pan Tilt		

Pan/Tilt Range	Pan: 360° rotate; Tilt: -90°~+90°
Pan Speed	Configurable, pan: 0.01°~180°/s
Tilt Speed	Configurable, pan: 0.01°~100°/s
Precision of pre-positioning	±0.003°
Positioning Accuracy	0.003°
Rotation Speed Resolution	0.001°/s
Preset	256
Tour	8, Up to 32 presets per tour
Scan	5
Pattern	5
Park	Preset/Tour/Scan/Pattern
Scheduled Task	Preset/Tour/Scan/Pattern
Power-off Memory	Support
Snap Positioning	Support
Proportional P/T to Zoom	Support
Heater/Fan	Integrated, Auto/Manual
Wiper	Integrated, Manual/Scheduled
Interface	
Power Interface	Support, GND
Ethernet	1x RJ45 (10/100Mbps self-adaptive Ethernet ports)
Audio I/O	1/1 (for Visible Camera only)
Alarm I/O	7/2
RS485	1, support Pelco-D protocol
General	
Waterproof	IP66
Power	DC48, typical 30W, max 180W
Humidity	<90%, non-condensing
Working temperature	-40°C~+60°C/22°F~140°F
Dimensions(L*W*H)	590mm*835mm*524.5mm
Weight	Approx. 88kg
Protect	Corrosion-resistant coating meets classification society standards: ASTM B117/ISO9227 (2000 hours) TVS 6000V, Surge protection, Voltage transient protection

3. Dimension

**Hangzhou Savgood Technology Co., Ltd.**

Rm. 1201, Xincheng Fazhan Building #1, No. 406 Xintiandi Street,
Gongshu District, Hangzhou City, 310022, China
Tel: +86 - (571) 8803 8121
Email: sales@savgood.com
<http://www.savgood.com>
<http://www.savgoodtech.com>

*Design and specifications are subject to change without prior notification.
© 2013 Savgood Technology Co., Ltd.